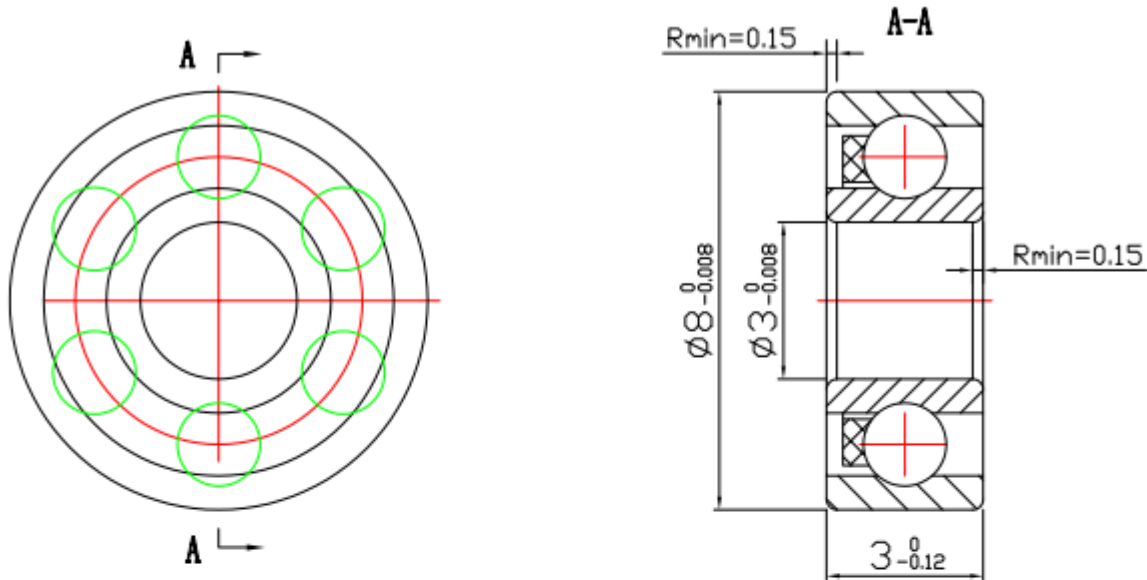


Telephone: 01382 455400 - Fax: 01382 454645



Notes:

1. Cage: 1 × PTFE.
2. Ball: Si₃N₄ 6 × $\varnothing 1.588$.
3. Inner Ring: 1 × ZrO₂.
4. Outer Ring: 1 × ZrO₂.
5. Operating Temperature: -20~+180°C.
6. Max speed: 4200r/min.
7. Loading: Cr=39. 2N, Cor=12. 5N.

	Signature	Date	Material		Bearing		
Design			ZrO ₂		Model	693	
Examine			Pattern marker	quantity	Edition	Weight (g)	Comparison
Craft							
Approval			First	total of one			1:1

