



Technical data

4T-02474/02420

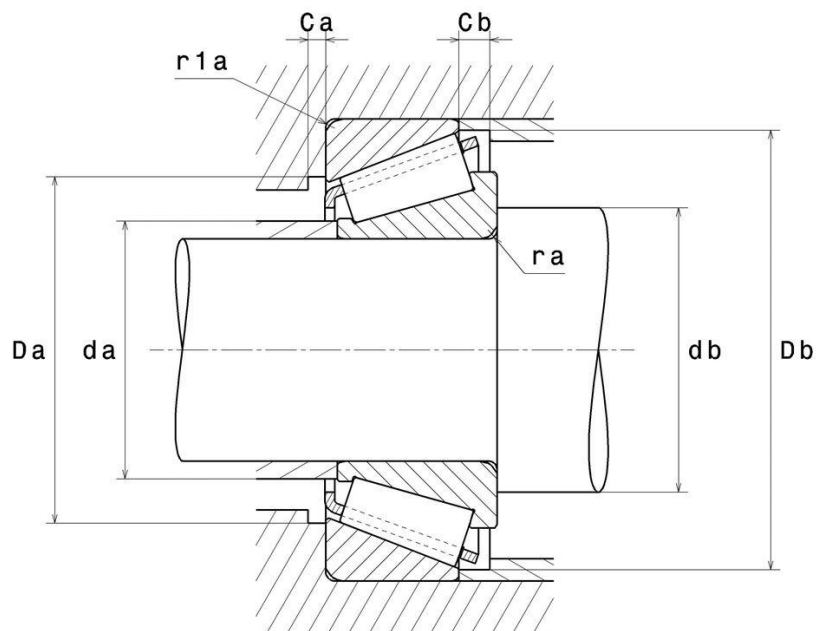
Single row tapered roller bearings

Tapered roller bearing, pressed steel cage

KIT CONTENT

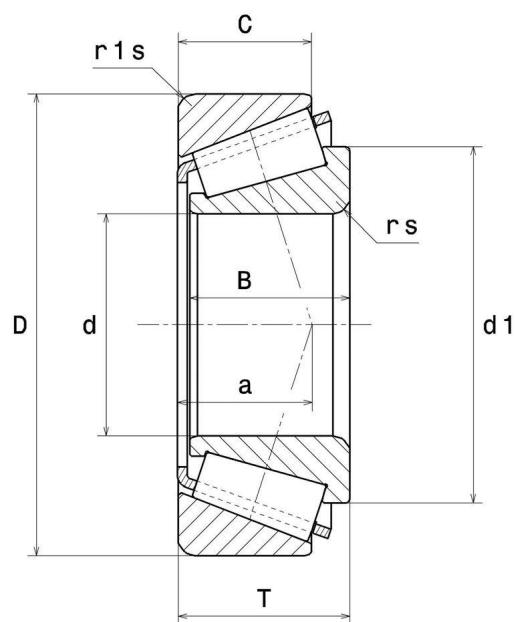
4T-02420, 4T-02474

VISUAL (S)



4T-02474/02420

Single row tapered roller bearings



PRODUCT DIMENSIONS

d - Internal diameter	28.575 mm
D - External diameter	68.262 mm
B - Bearing/Inner ring width	22.225 mm
C - Outer ring width	17.462 mm
T - Total width	22.225 mm
d1 - External diameter inner ring	49.5 mm
a - Charge load application point	17.025 mm
Mass	0.41 kg
Brand	NTN

PRODUCT PERFORMANCE

C - Dynamic load	63 kN
C0 - Static load	67 kN
Cu - Fatigue limit load	8.2 kN

PRODUCT PERFORMANCE

A2 - Rating life coefficient	1
e - Coefficient	0.42
Y0 - Static axial load coefficient	0.79
Y2 - Upper axial load coefficient	1.44
Nlim - Oil lubrication limit speed	7700 tr/min
Nlim - Grease lubrication limit speed	5800 tr/min
Tmin - Min operating temperature	-40 °C
Tmax - Max operating temperature	120 °C
FTF - Characteristic cage frequency	0.422 Hz
BSF - Characteristic rolling element frequency	5.988 Hz
BPFO - Characteristic outer ring frequency	7.166 Hz
BPFI - Characteristic inner ring frequency	9.834 Hz

ABUTMENT

da max - Max shoulder diameter IR	36 mm
db min - Min IR shoulder diameter	36.5 mm
Da max - Max shoulder diameter OR	59 mm
Db min - Min OR shoulder diameter	63 mm
ra max - Max fillet radius	0.8 mm
r1a - Max fillet radius	1.5 mm

INDUSTRY CALCUL FACTORS

Equivalent dynamic radial load

$$P = X.F_r + Y.F_a$$

$F_a / F_r \leq e$		$F_a / F_r > e$	
X	Y	X	Y
1	0	0.4	Y ₂

Equivalent static radial load

$$P_0 = X_0.F_r + Y_0.F_a$$

X_0	Y_0
0.5	Y ₀

If $P_0 < F_r$, then use $P_0 = F_r$

The values for e , Y_2 and Y_0 are shown in the above table