



Technical data

4T-594A/592A

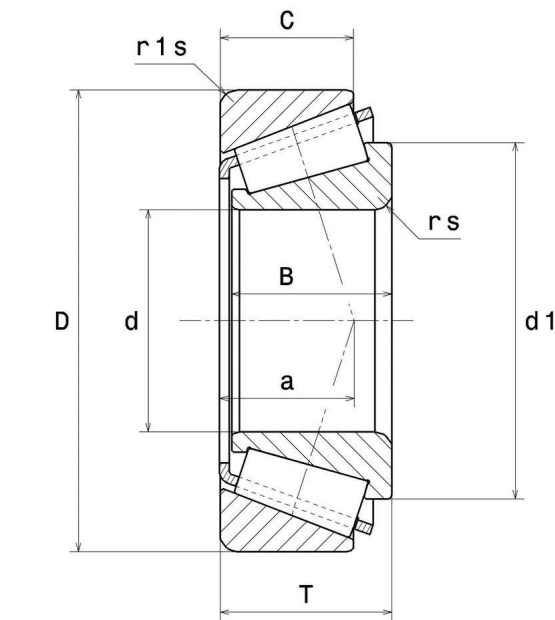
Single row tapered roller bearings

Tapered roller bearing, pressed steel cage

KIT CONTENT

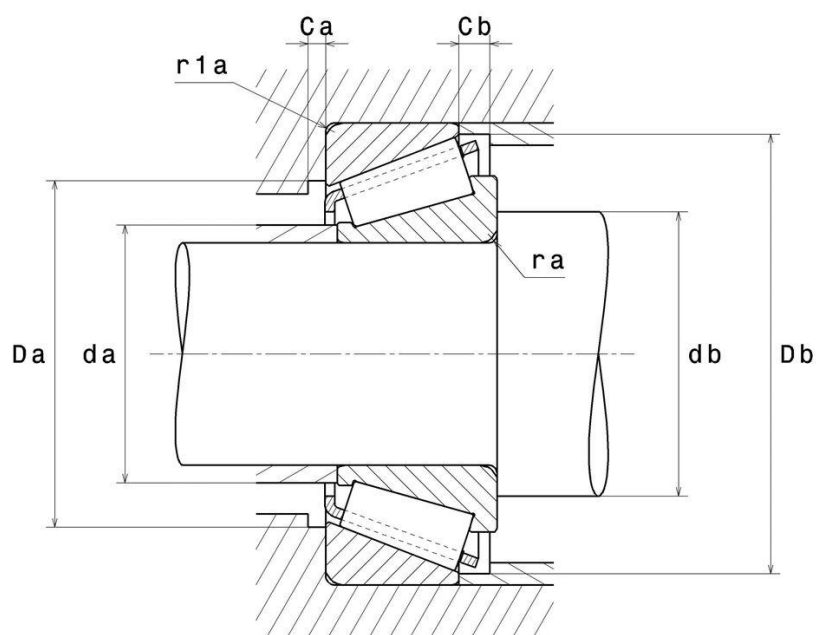
4T-592A, 4T-594A

VISUAL (S)



4T-594A/592A

Single row tapered roller bearings



PRODUCT DIMENSIONS

d - Internal diameter	95.25 mm
D - External diameter	152.4 mm
B - Bearing/Inner ring width	36.322 mm
C - Outer ring width	30.162 mm
T - Total width	39.688 mm
d1 - External diameter inner ring	121.2 mm
a - Charge load application point	37.088 mm
Mass	2.51 kg
Brand	NTN

PRODUCT PERFORMANCE

C - Dynamic load	180 kN
C0 - Static load	279 kN
Cu - Fatigue limit load	32.1 kN

4T-594A/592A

Single row tapered roller bearings

PRODUCT PERFORMANCE

A2 - Rating life coefficient	1
e - Coefficient	0.44
Y0 - Static axial load coefficient	0.75
Y2 - Upper axial load coefficient	1.36
Nlim - Oil lubrication limit speed	3100 tr/min
Nlim - Grease lubrication limit speed	2300 tr/min
Tmin - Min operating temperature	-40 °C
Tmax - Max operating temperature	120 °C
FTF - Characteristic cage frequency	0.448 Hz
BSF - Characteristic rolling element frequency	9.182 Hz
BPFO - Characteristic outer ring frequency	10.76 Hz
BPFI - Characteristic inner ring frequency	13.24 Hz

ABUTMENT

da max - Max shoulder diameter IR	104 mm
db min - Min IR shoulder diameter	113 mm
Da max - Max shoulder diameter OR	135 mm
Db min - Min OR shoulder diameter	144 mm
ra max - Max fillet radius	5 mm
r1a - Max fillet radius	3.3 mm

INDUSTRY CALCUL FACTORS

Equivalent dynamic radial load

$$P = X.F_r + Y.F_a$$

$F_a / F_r \leq e$		$F_a / F_r > e$	
X	Y	X	Y
1	0	0.4	Y2

Equivalent static radial load

$$P_0 = X_0.F_r + Y_0.F_a$$

X_0	Y_0
0.5	Y0

If $P_0 < F_r$, then use $P_0 = F_r$

The values for e, Y2 and Y0 are shown in the above table