

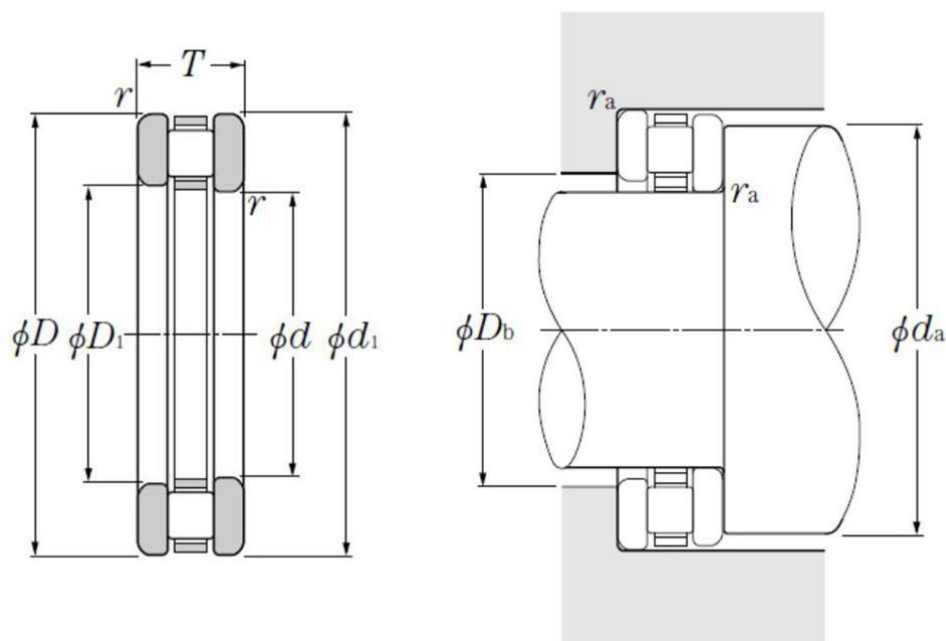
Technical data

81105T2

Complete thrust bearing

Needle roller bearing, thrust cylindrical roller bearing, 811 series

VISUAL (S)



PRODUCT DIMENSIONS

d - Bore diameter of support washer IR - WS	25 mm
D - Outside diameter of support washer OR - GS	42 mm
d1 - External diameter of support washer IR - WS	42 mm
D1 - Bore diameter bearing washer OR - GS	26 mm
T - Thrust bearing height	11 mm
Dc1 - Roller cage bore diameter	25 mm
Dc - Roller cage outer diameter	42 mm
rs - Min fillet radius	0.6 mm

PRODUCT DIMENSIONS

Cage assembly reference	K81105T2
Bearing ring (inner ring) WS	WS81105
Bearing ring (outer ring) GS	GS81105
Ea - Rollers reference outer diameter	38.7 mm
Eb - Rollers reference inner diameter	27.6 mm
Mass	0.06 kg
Cage assembly mass	0.018 kg
Bearing ring (inner ring) WS mass	0.021 kg
Bearing ring (outer ring) GS mass	0.021 kg
Brand	NTN

PRODUCT PERFORMANCE

Ca - Dynamic axial load rating	27.3 kN
C0a - Static axial load rating	68 kN
Cua - Limit axial load rating	8.25 kN
Nlim - Grease lubrication limit speed	1800 tr/min
Nlim - Oil lubrication limit speed	7000 tr/min
Tmin - Min operating temperature	-20 °C
Tmax - Max operating temperature	120 °C

ABUTMENT

da min - Min shoulder diameter IR	39 mm
Db max - Max OR shoulder diameter	28 mm
ras max - Max shaft & housing fillet radius	0.6 mm