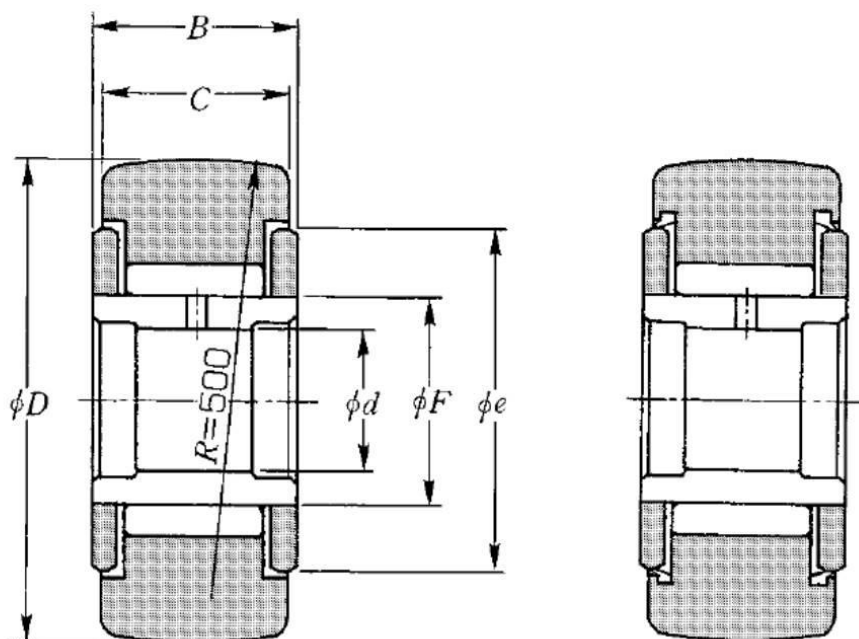


Technical data

NATV6LL/3AS

Roller follower with inner ring

VISUAL (S)



PRODUCT DIMENSIONS

d - Internal diameter	6 mm
D - External diameter	19 mm
C - Width of bearing, drawn cup or outer ring	11 mm
F - Under roller diameter	10 mm
B - Bearing/Inner ring width	12 mm
e - Inlet diameter of roller or washer	14 mm
R - Track roller radius	500 mm
Bearing with/without cage	Without
Radial clearance class	CN

PRODUCT DIMENSIONS

Precision class	P0
Mass	0.027 kg
Brand	NTN

PRODUCT PERFORMANCE

Cr - Dynamic load rating	7.45 kN
C0r - Static load rating	11.7 kN
Track load capacity spherical outer ring	1.38 kN
Nlim - Grease lubrication limit speed	10000 tr/min
Tmin - Min operating temperature	-20 °C
Tmax - Max operating temperature	100 °C