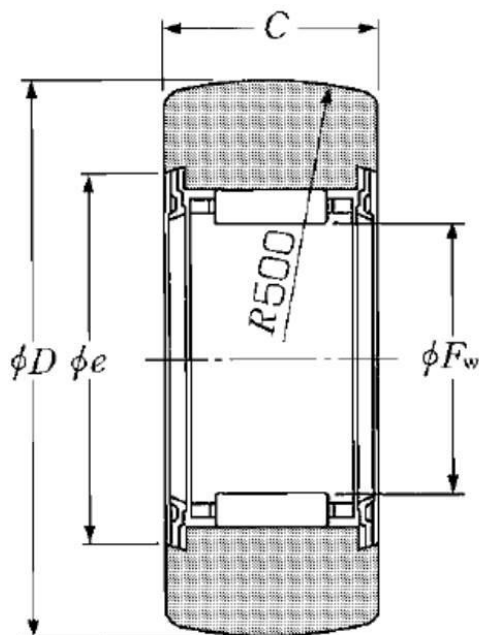


Technical data

RNA2202LL/3AS

Roller follower without inner ring

VISUAL (S)



PRODUCT DIMENSIONS

D - External diameter	35 mm
Fw - Under rollers diameter	20 mm
C - Width of bearing, drawn cup or outer ring	13.8 mm
e - Inlet diameter of roller or washer	26 mm
R - Track roller radius	500 mm
Bearing with/without cage	With
Precision class	P0
Mass	0.06 kg
Brand	NTN

RNA2202LL/3AS

Roller follower without inner ring

PRODUCT PERFORMANCE

Cr - Dynamic load rating	9.85 kN
C0r - Static load rating	14.1 kN
Track load capacity spherical outer ring	3.2 kN
Nlim - Grease lubrication limit speed	7500 tr/min
Tmin - Min operating temperature	-20 °C
Tmax - Max operating temperature	100 °C