



Technical data

UCP207

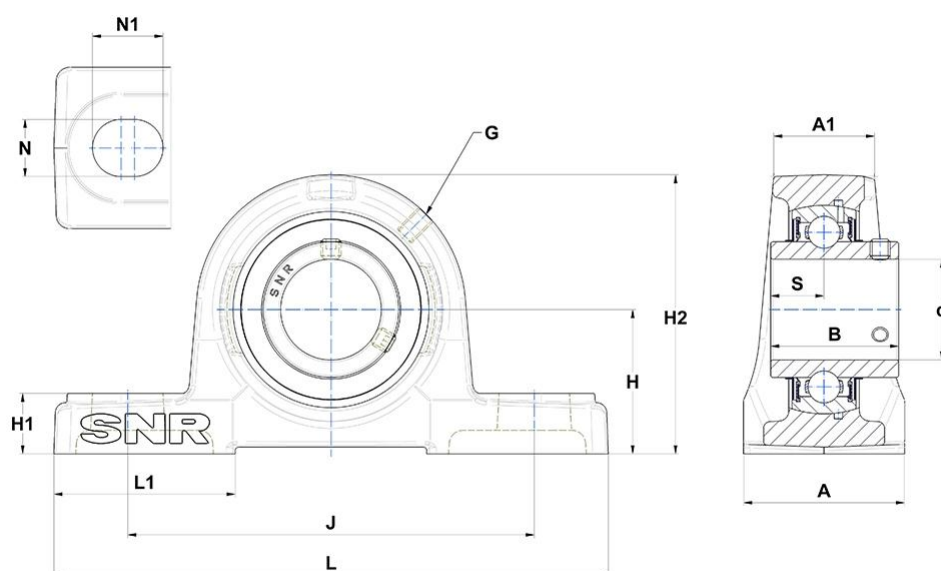
Bearing units

Grey cast housing, radial insert ball bearing with socket set screws, seal with slinger

KIT CONTENT

UC207G2, P207

VISUAL (S)



PRODUCT DIMENSIONS

A - Housing width	48 mm
A1 - Housing top width	31 mm
B - Width of Inner Ring	42.9 mm
d - Shaft diameter	35 mm
G - Grease fitting	M6x1
H - Distance mounting base to centerline spheric. seating diam.	47.6 mm

PRODUCT DIMENSIONS

H1 - Housing foot height	19 mm
H2 - Housing height	94 mm
J - Mounting holes distance	127 mm
L - Housing length	167 mm
L1 - Housing foot length	54 mm
N - Mounting hole dimension	17 mm
N1 - Mounting hole length	21 mm
S - Dist. cent. of raceway to face IR on side opp. lock. device	17.5 mm
Brand	SNR

PRODUCT PERFORMANCE

C - Dynamic load rating	25.7 kN
C0 - Static load rating	15.2 kN
Operating temperature min.	-20 °C
Operating temperature max.	100 °C

OTHER FEATURES

Mass	1.67 kg
Recommended tightening torque for set screw	11.5 N-m