



Technical data

UCPEX10

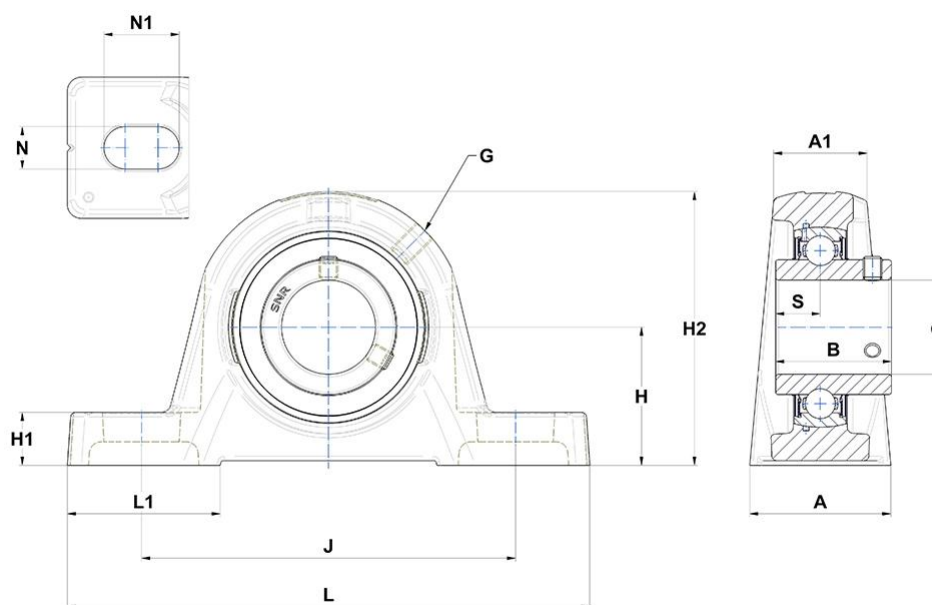
Bearing units

Grey cast housing, radial insert ball bearing with socket set screws, seal with slinger

KIT CONTENT

UCX10G2, PEX10

VISUAL (S)



PRODUCT DIMENSIONS

A - Housing width	60 mm
A1 - Housing top width	39.8 mm
B - Width of Inner Ring	55.6 mm
d - Shaft diameter	50 mm
G - Grease fitting	R1/8"
H - Distance mounting base to centerline spheric. seating diam.	63.5 mm

PRODUCT DIMENSIONS

H1 - Housing foot height	24.8 mm
H2 - Housing height	129.5 mm
J - Mounting holes distance	170.5 mm
L - Housing length	219.5 mm
L1 - Housing foot length	71 mm
N - Mounting hole dimension	18 mm
N1 - Mounting hole length	26 mm
S - Dist. cent. of raceway to face IR on side opp. lock. device	22.2 mm
Brand	SNR

PRODUCT PERFORMANCE

C - Dynamic load rating	43.55 kN
C0 - Static load rating	29.2 kN
Operating temperature min.	-20 °C
Operating temperature max.	100 °C

OTHER FEATURES

Mass	4.06 kg
Recommended tightening torque for set screw	22 N-m