



## RATY15-XL

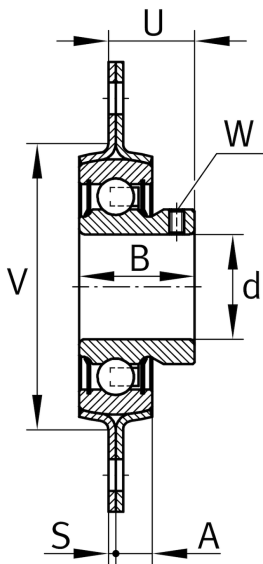
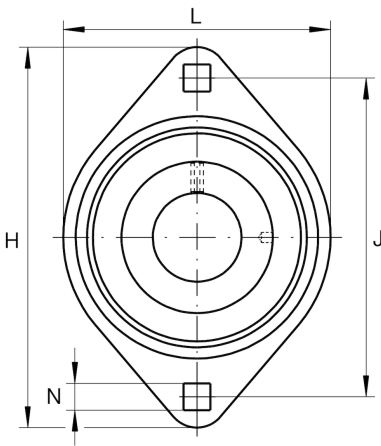
### Flanged housing unit

Schaeffler ID:  
0009082820000

Housing units RATY, two-bolt flanged housing units, sheet steel, grub screws in inner ring, P seals

X-life

### Technical information



### Main Dimensions & Performance Data

d	15 mm	Bore diameter
L	58.7 mm	Flange width
H	81 mm	Height flange
H	81 mm	Flange width
U	18 mm	Total height unit
$C_r$	10,100 N	Basic dynamic load rating, radial
$C_{0r}$	4,750 N	Basic static load rating, radial
$C_{ur}$	202 N	Fatigue load limit, radial
$C_{0rG}$	2,700 N	Load carrying capacity (housing)
$C_g$	2,700 N	Load carrying capacity (housing)
	0.16 kg	Weight

### Mounting dimensions

J	63.5 mm	Distance fixing bore
N	7.1 mm	Fixing bore
N	7.1 mm	Fixing square
n	2	Number of screwing holes

### Dimensions

A	7 mm	Height housing
	2	Number of housings
	FLAN40-MST	Housing
	AY15-XL-NPP-B	Bearing designation
B	22 mm	Width
$S_1$	2 mm	Thickness of flange
S	2 mm	Thickness of flange
V	48 mm	Shoulder diameter housing