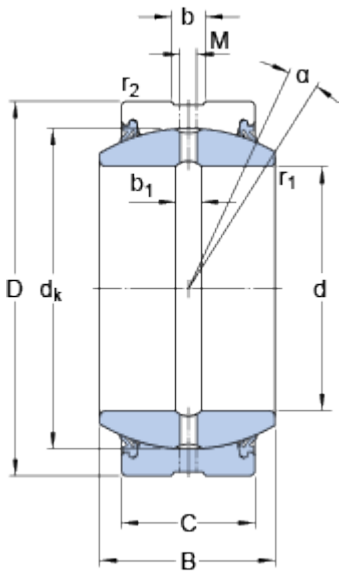


# GE 50 ES-2RS

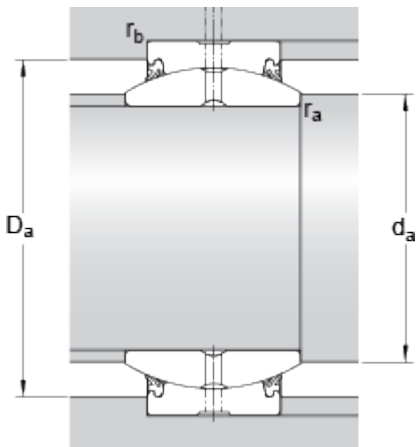
Lubricant	Regular relubrication – grease
Design (sliding contact surface combination)	Steel/steel
Sealing solution	Double-lip seals

## Dimensions



d	50	mm
D	75	mm
B	35	mm
C	28	mm
$\alpha$	6	°
$d_k$	66	mm
b	4.6	mm
$b_1$	4.6	mm
M	3	mm
$r_1$	min. 0.6	mm
$r_2$	min. 1	mm

## Abutment dimensions



$d_a$	min. 54.6	mm
$d_a$	max. 56	mm
$D_a$	min. 66.2	mm
$D_a$	max. 70.5	mm
$r_a$	max. 0.6	mm
$r_b$	max. 1	mm

## Calculation data

Basic dynamic load rating	C	156	kN
Basic static load rating	$C_0$	780	kN
Specific dynamic load factor	K	100	N/mm <sup>2</sup>
Specific static load factor	$K_0$	500	N/mm <sup>2</sup>
Material constant	$K_M$	330	

## Mass

